



SCRIBURO bv

IT & Print Solutions

Computers | Supplies | Herstelling | Onderhoud

Oostrozebekestraat 70 | 8760 Meulebeke

T. 051 487821 | info@scriburo.be | www.scriburo.be

Metal Furniture



De Raat
Security Products

safes, lockers and more...

SOCIAL FURNITURE

SUM W WARDROBE LOCKERS

Wardrobe lockers allow to furnish social rooms in a functional and aesthetic way. Wide range of products guarantees fulfilling even the most varied users' needs. A modern design perforation system allows free air circulation. Welded construction based on closed profiles affects the rigidity of the lockers.

SUM W WARDROBE LOCKERS ARE MADE IN TWO WIDTHS:

- 300 mm,
- 400 mm (with internal partition wall to separate clean and dirty clothes).

STANDARD EQUIPMENT:

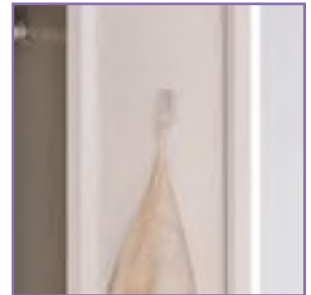
- a bar with hooks,
- a hook for towel,
- a mirror,
- a self adhesive nameplate,
- a shelf above the bar,
- an internal partition (in 400 mm wide modules).



MEDALIST WARDROBES



a bar with hooks



a hook for towel





a mirror



a self adhesive nameplate



a shelf



an internal partition
(in 400 mm wide modules)



SOCIAL FURNITURE

SUM W WARDROBE LOCKERS

Thanks to additional equipment our social lockers meet customer's requirements and expectations in 100%.

Slanted tops help maintain cleanness, socles and benches provide the functionality and ergonomics.

Seats of the benches consist of three wooden slats coated with clear varnish or three plastic slats.

All benches increase the height of the cabinet by 390 mm.



In social wardrobes it is possible to have a keylock (C) or a handle which is adapted to hang a padlock (D) on it.

It is possible to order lockers with MASTER key which allows opening certain number of locks.

Locks available at an extra cost:

- cylindrical moisture-resistant lock,
- coin locks (E) – return coin lock (F) or non-return coin locks (G),
- mechanical (H) and electronic code locks (I) and others – on customer's request.



ADDITIONAL EQUIPMENT



slanted top



socle screwed to the lockers
(140 mm high)



leg frame
(140 mm high)



base without seat
equipped with
adjustable feet



base with seat equipped
with adjustable feet



base with seat equipped
with adjustable feet
– economical version



extendable bench
equipped with adjustable
feet



base without seat
equipped with adjustable
feet
– economical version

TYPES OF LOCKS

3-point cylinder lock (A)



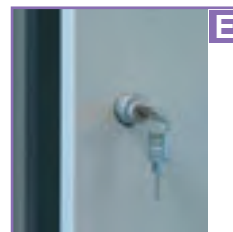
A



B



D



E



F



G



C



MASTER key

1-point cylinder lock (B)

SOCIAL FURNITURE

SUM W WARDROBE LOCKERS

ADVANTAGES OF SUM W WARDROBES:

- wide range of equipment as a standard,
- 16 colours at no extra cost,
- various types of locks to choose,
- socles, bases, legs, slanted tops etc.,
- increased usable space,
- seals of approval, certificates, declarations.



MEDALIST WARDROBES



standard wide range
of equipment



16 colours at
no extra cost



ADVANTAGES OF SUM W WARDROBES



various types of locks to choose



socles, bases, legs, slanted tops etc.



different price versions

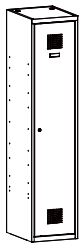
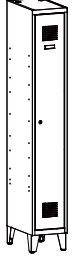


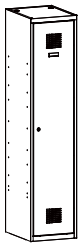
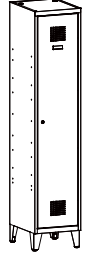
seals of approval, certificates, declarations

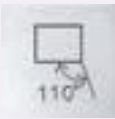


SOCIAL FURNITURE

SUM W WARDROBE LOCKERS

| | | | |
|------------------------|---|---|----------------|
| SUM W Wardrobe lockers |  |  | |
| | Designation | Sum 310 W | Sum 311 W |
| | Code | WSU 0101020102 | WSU 0101020202 |
| | Height (mm) | 1800 | 1940 |
| | Width (mm) | 300 | |
| | Depth (mm) | 500 | |
| | Number of units | 1 | |
| | Number of doors | 1 | |
| | Legs | - | + |

| | | | |
|------------------------|---|---|----------------|
| SUM W Wardrobe lockers |  |  | |
| | Designation | Sum 410 W | Sum 411 W |
| | Code | WSU 0201020103 | WSU 0201020203 |
| | Height (mm) | 1800 | 1940 |
| | Width (mm) | 400 | |
| | Depth (mm) | 500 | |
| | Number of units | 1 | |
| | Number of doors | 1 | |
| | Legs | - | + |



| | | | | | |
|----------------|----------------|----------------|----------------|----------------|----------------|
| | | | | | |
| Sum 320 W | Sum 321 W | Sum 330 W | Sum 331 W | Sum 340 W | Sum 341 W |
| WSU 0102020102 | WSU 0102020202 | WSU 0103020102 | WSU 0103020202 | WSU 0104020102 | WSU 0104020202 |
| 1800 | 1940 | 1800 | 1940 | 1800 | 1940 |
| 600 | | 900 | | 1200 | |
| 500 | | | | | |
| 2 | | 3 | | 4 | |
| 2 | | 3 | | 4 | |
| - | + | - | + | - | + |

| | | | |
|----------------|----------------|----------------|----------------|
| | | | |
| Sum 420 W | Sum 421 W | Sum 430 W | Sum 431 W |
| WSU 0202020103 | WSU 0202020203 | WSU 0203020103 | WSU 0203020203 |
| 1800 | 1940 | 1800 | 1940 |
| 800 | | 1200 | |
| 500 | | | |
| 2 | | 3 | |
| 2 | | 3 | |
| - | + | - | + |



SOCIAL FURNITURE

SUL W WARDROBE LOCKERS

In order to make use of small spaces such as cloak-rooms, an ideal solution is our L-shape wardrobe locker.

Thanks to SUL W wardrobe lockers, one can place twice as many wardrobe compartments as with wardrobe lockers.

Welded construction based on closed profiles affects the rigidity of the wardrobes.



MEDALIST WARDROBES



standard wide range
of equipment



16 colours at
no extra cost



ADVANTAGES OF SUL W WARDROBES



various types of locks to choose



socles, bases, legs, slanted tops etc.



different price versions



seals of approval, certificates, declarations

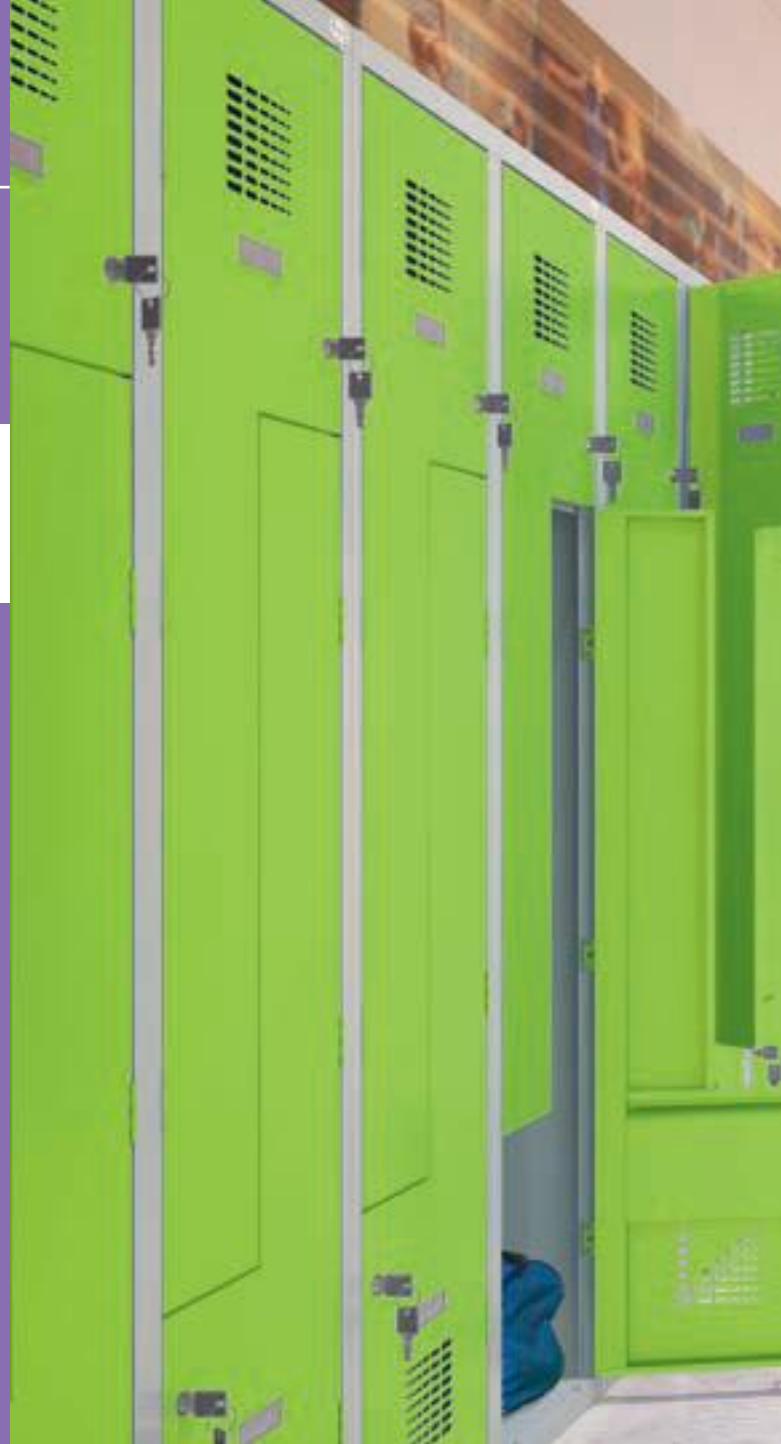
SOCIAL FURNITURE

SUL W WARDROBE LOCKERS

SUL W wardrobe lockers are produced in two types of module width:
- 300 mm,
- 400 mm.

A modern design perforation system allows free air circulation.

Available locks: 1-point lock.



MEDALIST WARDROBES





STANDARD EQUIPMENT



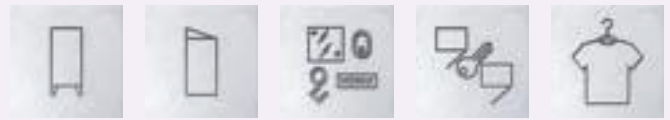
1-point lock



a bar with hook



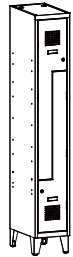
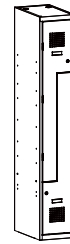
a self-adhesive nameplate



SOCIAL FURNITURE

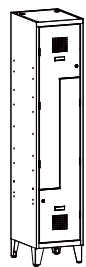
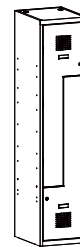
SUL W WARDROBE LOCKERS

SUM W Wardrobe lockers



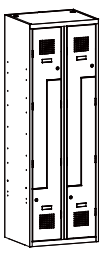
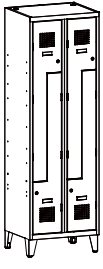
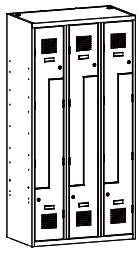
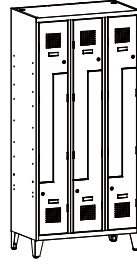
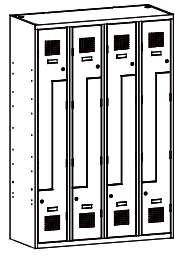
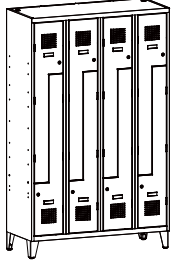
| | | |
|-----------------|----------------|----------------|
| Designation | SUL 31 W | SUL 31 W n |
| Code | WSU 0306030104 | WSU 0306030204 |
| Height (mm) | 1800 | 1940 |
| Width (mm) | 300 | |
| Depth (mm) | 500 | |
| Number of units | 2 | |
| Number of doors | 2 | |
| Legs | - | + |

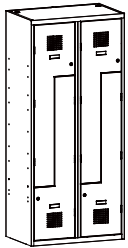
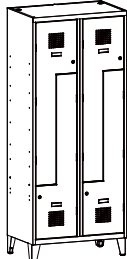
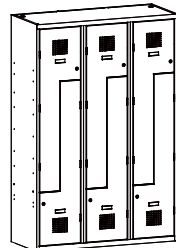
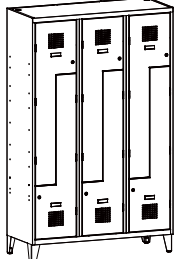
SUM W Wardrobe lockers



| | | |
|-----------------|----------------|----------------|
| Designation | SUL 41 W | SUL 41 W n |
| Code | WSU 0406030104 | WSU 0406030204 |
| Height (mm) | 1800 | 1940 |
| Width (mm) | 400 | |
| Depth (mm) | 500 | |
| Number of units | 2 | |
| Number of doors | 2 | |
| Legs | - | + |



| | | | | | |
|---|---|---|---|---|---|
|  |  |  |  |  |  |
| SUL 32 W | SUL 32 W n | SUL 33 W | SUL 33 W n | SUL 34 W | SUL 34 W n |
| WSU 0306030204 | WSU 0307030204 | WSU 0308030104 | WSU 0308030204 | WSU 0309030104 | WSU 0309030204 |
| 1800 | 1940 | 1800 | 1940 | 1800 | 1940 |
| 600 | | 900 | | 1200 | |
| 500 | | | | | |
| 4 | | 6 | | 8 | |
| 4 | | 6 | | 8 | |
| - | + | - | + | - | + |

| | | | |
|---|---|---|---|
|  |  |  |  |
| SUL 42 W | SUL 42 W n | SUL 43 W | SUL 43 W n |
| WSU 0407030104 | WSU 0407030204 | WSU 0408030104 | WSU 0408030204 |
| 1800 | 1940 | 1800 | 1940 |
| 800 | | 1200 | |
| 500 | | | |
| 4 | | 6 | |
| 4 | | 6 | |
| - | + | - | + |



SOCIAL FURNITURE

SUS W WARDROBE LOCKERS

Lockers with compartments, thanks to their functionality, variety and aesthetic qualities can be used in a wide range of facilities, e.g. in cloakrooms, kindergartens, schools, boarding schools, swimming pools, fitness clubs, gyms, railway stations, workplaces - for storing briefcases, handbags, helmets etc.

Welded construction based on closed profiles affects the rigidity of the wardrobes.



MEDALIST WARDROBES



standard wide range
of equipment



16 colours at
no extra cost



ADVANTAGES OF SUS W WARDROBES



various types of locks to choose



socles, bases, legs, slanted tops etc.



different price versions



seals of approval, certificates, declarations

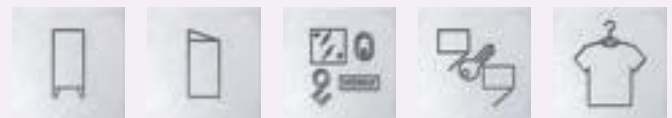
SOCIAL FURNITURE

SUS W WARDROBE LOCKERS - 300 mm wide module

Depending on customers' needs we offer different types of SUS W lockers with compartments:

- 300 and 400 mm wide modules,
- various number of compartments: from 2 up to 20.

A modern design perforation system allows free air circulation.



STANDARD EQUIPMENT



bar with hooks (in lockers with two compartments per module)









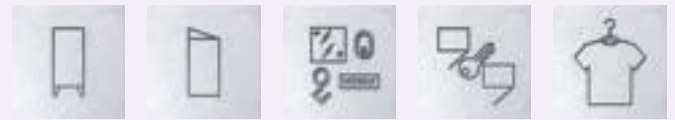
self adhesive nameplate

| | | |
|---------------------|----------------|----------------|
| 300 mm wide modules | | |
| | Designation | SUS 312 W |
| Code | WSU 0106020104 | WSU 0106020204 |
| Height (mm) | 1800 | 1940 |
| Width (mm) | 300 | |
| Depth (mm) | 500 | |
| Number of units | 1 | |
| Number of doors | 2 | |
| Legs | - | + |



TECHNICAL SPECIFICATION

| | | | | | |
|---|---|---|---|---|---|
|  |  |  |  |  |  |
| SUS 322 W | SUS 322 W n | SUS 332 W | SUS 332 W n | SUS 342 W | SUS 342 W n |
| WSU 0107020104 | WSU 0107020204 | WSU 0108020104 | WSU 0108020204 | WSU 0109020104 | WSU 0109020204 |
| 1800 | 1940 | 1800 | 1940 | 1800 | 1940 |
| 600 | | 900 | | 1200 | |
| 500 | | | | | |
| 2 | | 3 | | 4 | |
| 4 | | 6 | | 8 | |
| - | + | - | + | - | + |



SOCIAL FURNITURE

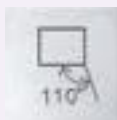
SUS W WARDROBE LOCKERS - 300 mm wide module



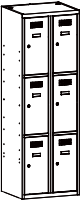





| | | |
|---------------------|----------------|----------------|
| 300 mm wide modules | | |
| Designation | SUS 313 W | SUS 313 W n |
| Code | WSU 0111020101 | WSU 0111020201 |
| Height (mm) | 1800 | 1940 |
| Width (mm) | 300 | |
| Depth (mm) | 500 | |
| Number of units | 1 | |
| Number of doors | 3 | |
| Legs | - | + |





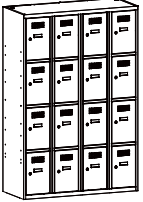

| | | |
|---------------------|----------------|----------------|
| 300 mm wide modules | | |
| Designation | SUS 314 W | SUS 314 W n |
| Code | WSU 0116020101 | WSU 0116020201 |
| Height (mm) | 1800 | 1940 |
| Width (mm) | 300 | |
| Depth (mm) | 500 | |
| Number of units | 1 | |
| Number of doors | 4 | |
| Legs | - | + |

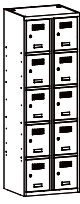





| | | |
|---------------------|----------------|----------------|
| 300 mm wide modules | | |
| Designation | SUS 315 W | SUS 315 W n |
| Code | WSU 0121020101 | WSU 0121020201 |
| Height (mm) | 1800 | 1940 |
| Width (mm) | 300 | |
| Depth (mm) | 500 | |
| Number of units | 1 | |
| Number of doors | 5 | |
| Legs | - | + |



TECHNICAL SPECIFICATION

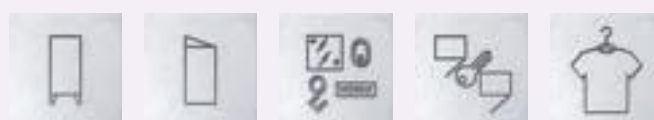
| | | | | | |
|---|---|---|---|---|---|
|  |  |  |  |  |  |
| SUS 323 W | SUS 323 W n | SUS 333 W | SUS 333 W n | SUS 343 W | SUS 343 W n |
| WSU 0112020101 | WSU 0112020201 | WSU 0113020101 | WSU 0113020201 | WSU 0114020101 | WSU 0114020201 |
| 1800 | 1940 | 1800 | 1940 | 1800 | 1940 |
| 600 | | 900 | | 1200 | |
| 500 | | | | | |
| 2 | | 3 | | 4 | |
| 6 | | 9 | | 12 | |
| - | + | - | + | - | + |

| | | | | | |
|--|--|--|--|--|--|
|  |  |  |  |  |  |
| SUS 324 W | SUS 324 W n | SUS 334 W | SUS 334 W n | SUS 344 W | SUS 344 W n |
| WSU 0117020101 | WSU 0117020201 | WSU 0118020101 | WSU 0118020201 | WSU 0119020101 | WSU 0119020201 |
| 1800 | 1940 | 1800 | 1940 | 1800 | 1940 |
| 600 | | 900 | | 1200 | |
| 500 | | | | | |
| 2 | | 3 | | 4 | |
| 8 | | 12 | | 16 | |
| - | + | - | + | - | + |



| | | | | | |
|---|---|---|---|---|---|
|  |  |  |  |  |  |
| SUS 325 W | SUS 325 W n | SUS 335 W | SUS 335 W n | SUS 345 W | SUS 345 W n |
| WSU 0122020101 | WSU 0122020201 | WSU 0123020101 | WSU 0123020201 | WSU 0124020101 | WSU 0124020201 |
| 1800 | 1940 | 1800 | 1940 | 1800 | 1940 |
| 600 | | 900 | | 1200 | |
| 500 | | | | | |
| 2 | | 3 | | 4 | |
| 10 | | 15 | | 20 | |
| - | + | - | + | - | + |

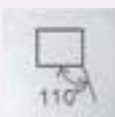
SOCIAL FURNITURE

SUS W WARDROBE LOCKERS
- 400 mm wide module







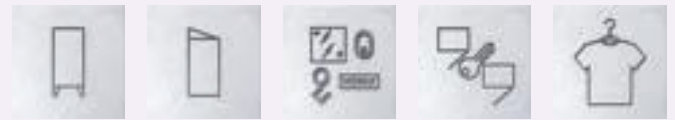
MEDALIST WARDROBES

| | | |
|---------------------|---|---|
| 400 mm wide modules |  |  |
| Designation | SUS 412 W | SUS 412 W n |
| Code | WSU 0206020104 | WSU 0206020204 |
| Height (mm) | 1800 | 1940 |
| Width (mm) | 400 | |
| Depth (mm) | 500 | |
| Number of units | 1 | |
| Number of doors | 2 | |
| Legs | - | + |



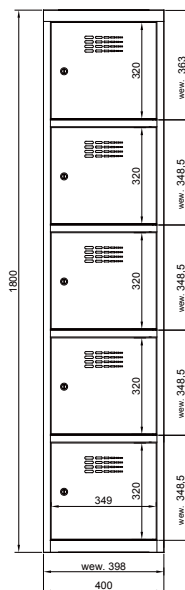
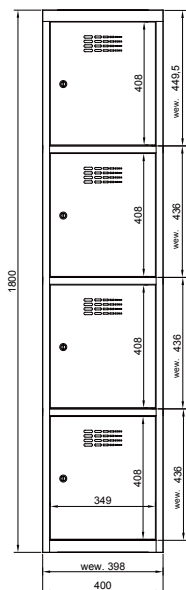
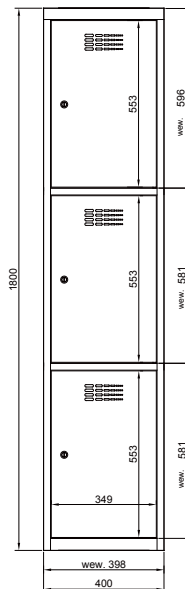
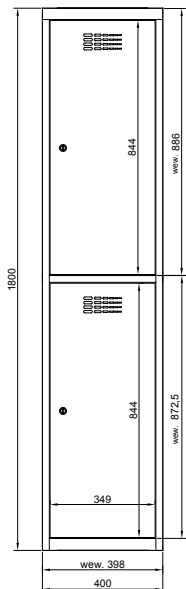
TECHNICAL SPECIFICATION

| | | | |
|---|---|---|---|
|  |  |  |  |
| SUS 422 W | SUS 422 W n | SUS 432 W | SUS 432 W n |
| WSU 0207020104 | WSU 0207020204 | WSU 0208020104 | WSU 0208020204 |
| 1800 | 1940 | 1800 | 1940 |
| 800 | | 1200 | |
| 500 | | | |
| 2 | | 3 | |
| 4 | | 6 | |
| - | + | - | + |



SOCIAL FURNITURE

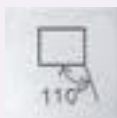
SUS W WARDROBE LOCKERS - 400 mm wide module



| | | |
|---------------------|----------------|----------------|
| 400 mm wide modules | | |
| | Designation | SUS 413 W |
| Code | WSU 0211020101 | WSU 0211020201 |
| Height (mm) | 1800 | 1940 |
| Width (mm) | 400 | |
| Depth (mm) | 500 | |
| Number of units | 1 | |
| Number of doors | 3 | |
| Legs | - | + |

| | | |
|---------------------|----------------|----------------|
| 400 mm wide modules | | |
| | Designation | SUS 414 W |
| Code | WSU 0216020101 | WSU 0216020201 |
| Height (mm) | 1800 | 1940 |
| Width (mm) | 400 | |
| Depth (mm) | 500 | |
| Number of units | 1 | |
| Number of doors | 4 | |
| Legs | - | + |

| | | |
|---------------------|----------------|----------------|
| 400 mm wide modules | | |
| | Designation | SUS 415 W |
| Code | WSU 0221020101 | WSU 0221020201 |
| Height (mm) | 1800 | 1940 |
| Width (mm) | 400 | |
| Depth (mm) | 500 | |
| Number of units | 1 | |
| Number of doors | 5 | |
| Legs | - | + |



| | | | |
|----------------|----------------|----------------|----------------|
| | | | |
| SUS 423 W | SUS 423 W n | SUS 433 W | SUS 433 W n |
| WSU 0212020101 | WSU 0212020201 | WSU 0213020101 | WSU 0213020201 |
| 1800 | 1940 | 1800 | 1940 |
| 800 | | 1200 | |
| 500 | | | |
| 2 | | 3 | |
| 6 | | 9 | |
| - | + | - | + |

| | | | |
|----------------|----------------|----------------|----------------|
| | | | |
| SUS 424 W | SUS 424 W n | SUS 434 W | SUS 434 W n |
| WSU 0217020101 | WSU 0217020201 | WSU 0218020101 | WSU 0218020201 |
| 1800 | 1940 | 1800 | 1940 |
| 800 | | 1200 | |
| 500 | | | |
| 2 | | 3 | |
| 8 | | 12 | |
| - | + | - | + |

| | | | |
|----------------|----------------|----------------|----------------|
| | | | |
| SUS 425 W | SUS 425 W n | SUS 435 W | SUS 435 W n |
| WSU 0222020101 | WSU 0222020201 | WSU 0223020101 | WSU 0223020201 |
| 1800 | 1940 | 1800 | 1940 |
| 800 | | 1200 | |
| 500 | | | |
| 2 | | 3 | |
| 10 | | 15 | |
| - | + | - | + |

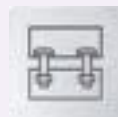


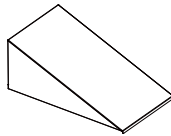
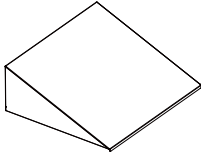
SOCIAL FURNITURE

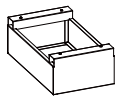
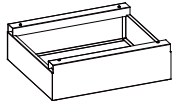
SLANTED TOPS AND SOCLES FOR WSU WARDROBE LOCKERS

Wardrobe lockers can be equipped with slanted tops that help to maintain cleanness in social spaces.

- Slanted tops help to maintain the cleanness on top of the locker by making it easy to sweep and to dust.
- Simple assembly - with latches.

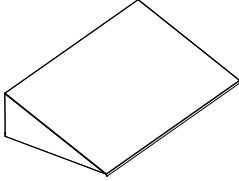
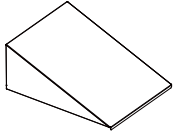
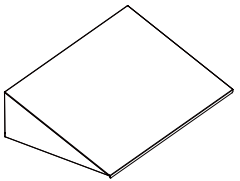
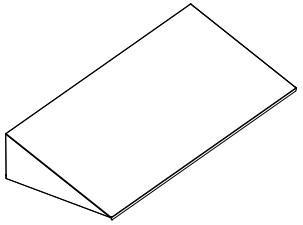


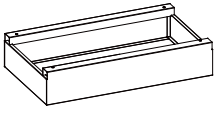

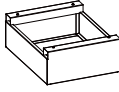
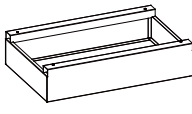

| | | | |
|--------------|---|---|-------------|
| Slanted tops |  |  | |
| | Designation | D310 W | D320 W |
| | Code | DWSU 010101 | DWSU 010102 |
| | Height (mm) | 200 | |
| | Width (mm) | 300 | 600 |
| | Depth (mm) | 500 | |

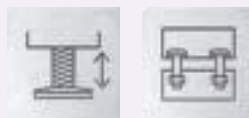
| | | | |
|--------|---|---|-------------|
| Socles |  |  | |
| | Designation | C310 W | C320 W |
| | Code | CWSU 010101 | CWSU 010102 |
| | Height (mm) | 140 | |
| | Width (mm) | 300 | 600 |
| | Depth (mm) | 450 | |



TECHNICAL SPECIFICATION

| | | | |
|---|---|--|---|
|  |  |  |  |
| D330 W | D410 W | D420 W | D430 W |
| DWSU 010103 | DWSU 020101 | DWSU 020102 | DWSU 020103 |
| 200 | | | |
| 900 | 400 | 800 | 1200 |
| 500 | | | |

| | | | | |
|---|---|---|--|---|
|  |  |  |  |  |
| C330 W | C340 W | C410 W | C420 W | C430 W |
| CWSU 010103 | CWSU 010104 | CWSU 020101 | CWSU 020102 | CWSU 020103 |
| 140 | | | | |
| 900 | 1200 | 400 | 800 | 1200 |
| 450 | | | | |



SOCIAL FURNITURE

BENCHES FOR WSU WARDROBE LOCKERS

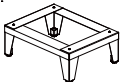
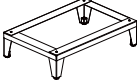
Cabinets can be placed on benches, and then fixed with screws.

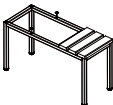
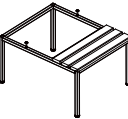
The seat consists of three wooden slats coated with clear varnish or plastic slats, especially recommended for use in wet environments.


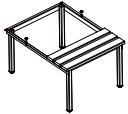
We offer 2 price versions:

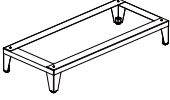
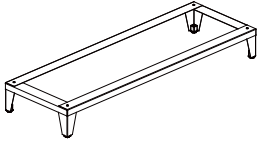
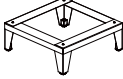
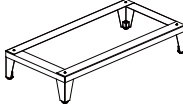
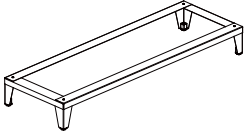
- standard (frames and legs are made of closed profiles),
- economic (frame is made of bent steel sheet, legs of closed profiles).

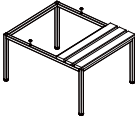
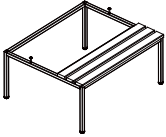
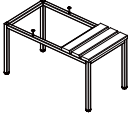
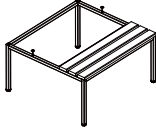
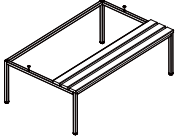
In our offer, we have very practical, extendable benches which help to save space. These benches are ideal where it is essential to organize a space effectively. The bench has an extendable seat, which fits under the wardrobe.

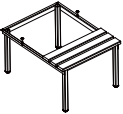
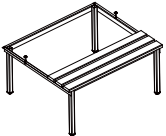

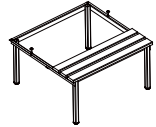
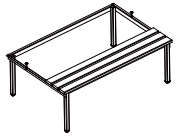
| | | |
|-----------------|---|---|
| Bench with legs |  |  |
| | WCn 311 W | WCn 321 W |
| Code | PWSU 09020101 | PWSU 09020201 |
| Height (mm) | 140 | |
| Width (mm) | 275 | 575 |
| Depth (mm) | 450 | |

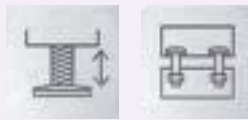
| | | | |
|------------------|--|--|---------------|
| One-side benches |  |  | |
| | P311 W | P321 W | |
| Code | PWSU 01010102 | PWSU 01010103 | PWSU 01010202 |
| Height (mm) | 390 | | |
| Width (mm) | 290 | 590 | |
| Depth (mm) | 745 | | |
| Wooden slats | + | | + |
| Plastic slats | | + | |

| | | | |
|-------------------------------------|---|---|---------------|
| One-side benches – economic version |  |  | |
| | P313 W | P323 W | |
| Code | PWSU 05010102 | PWSU 05010103 | PWSU 05010202 |
| Height (mm) | 390 | | |
| Width (mm) | 290 | 590 | |
| Depth (mm) | 745 | | |
| Wooden slats | + | | + |
| Plastic slats | | + | |

| | | | | |
|---|---|---|--|---|
|  |  |  |  |  |
| WCn 331 W | WCn 341 W | WCn 411 W | WCn 421 W | WCn 431 W |
| PWSU 09020301 | PWSU 09020401 | PWSU 10020101 | PWSU 10020201 | PWSU 10020301 |
| 140 | | | | |
| 875 | 1175 | 375 | 775 | 1175 |
| 450 | | | | |

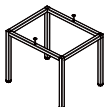
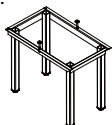
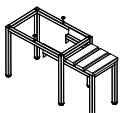
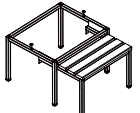
| | | | | | | | | |
|--|--|--|---|--|---------------|---------------|---------------|---------------|
|  |  |  |  |  | | | | |
| P321 W | P 331 W | P411 W | P 421 W | P 431 W | | | | |
| PWSU 01010203 | PWSU 01010302 | PWSU 01010303 | PWSU 02010102 | PWSU 02010103 | PWSU 02010202 | PWSU 02010203 | PWSU 02010302 | PWSU 02010303 |
| 390 | | | | | | | | |
| 590 | 890 | 390 | 790 | 1190 | | | | |
| 745 | | | | | | | | |
| | + | | + | | + | | + | |
| + | | + | | + | | + | | + |

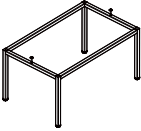
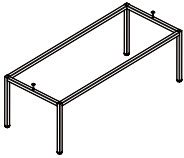
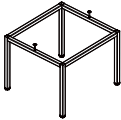
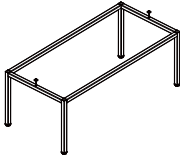
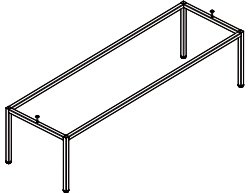
| | | | | | | | | |
|---|---|---|--|---|---------------|---------------|---------------|---------------|
|  |  |  |  |  | | | | |
| P323 W | P 333 W | P413 W | P 423 W | P 433 W | | | | |
| PWSU 05010203 | PWSU 05010302 | PWSU 05010303 | PWSU 06010102 | PWSU 06010103 | PWSU 06010202 | PWSU 06010302 | PWSU 06010203 | PWSU 06010303 |
| 390 | | | | | | | | |
| 590 | 890 | 390 | 790 | 1190 | | | | |
| 745 | | | | | | | | |
| | + | | + | | + | | + | |
| + | | + | | + | | + | | + |

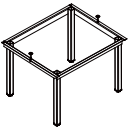
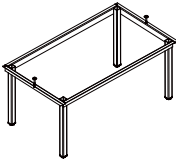
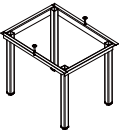
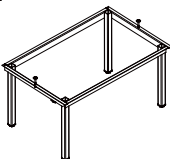
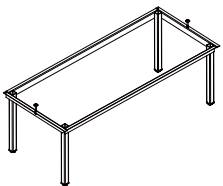


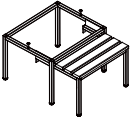
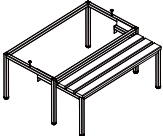
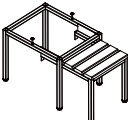
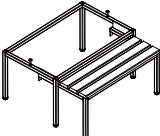
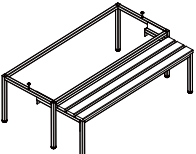
SOCIAL FURNITURE

BENCHES FOR WSU WARDROBE LOCKERS

| | | | |
|---|---|---|---------------|
| Benches without a seat |  | | |
| Designation | P311 W | | |
| Code | PWSU 01010101 | | |
| Height (mm) | 390 | | |
| Width (mm) | 290 | | |
| Depth (mm) | 490 | | |
| Benches without a seat – economical version |  | | |
| Designation | P313 W | | |
| Code | PWSU 05010101 | | |
| Height (mm) | 390 | | |
| Width (mm) | 290 | | |
| Depth (mm) | 490 | | |
| Extendable benches |  |  | |
| Designation | Pw311 W | Pw321 W | |
| Code | PWSU 07010102 | PWSU 07010103 | PWSU 07010202 |
| Height (mm) | 390 | | |
| Width (mm) | 290 | 590 | |
| Depth (mm) | 745 | | |
| Wooden slats | + | | + |
| Plastic slats | | + | |

| | | | | |
|---|---|---|--|---|
|  |  |  |  |  |
| P321 W | P331 W | P411 W | P421 W | P431 W |
| PWSU 01010201 | PWSU 01010301 | PWSU 02010101 | PWSU 02010201 | PWSU 02010301 |
| 390 | | | | |
| 590 | 890 | 390 | 790 | 1190 |
| 490 | | | | |

| | | | | |
|---|---|---|--|--|
|  |  |  |  |  |
| P323 W | P333 W | P413 W | P423 W | P433 W |
| PWSU 05010201 | PWSU 05010301 | PWSU 06010101 | PWSU 06010201 | PWSU 06010301 |
| 390 | | | | |
| 590 | 890 | 390 | 790 | 1190 |
| 490 | | | | |

| | | | | | | | | |
|---|---|---|--|---|---------------|---------------|---------------|---------------|
|  |  |  |  |  | | | | |
| Pw321 W | Pw331 W | Pw411 W | Pw421 W | Pw431 W | | | | |
| PWSU 07010203 | PWSU 07010302 | PWSU 07010303 | PWSU 08010102 | PWSU 08010103 | PWSU 08010202 | PWSU 08010203 | PWSU 08010302 | PWSU 08010303 |
| 390 | | | | | | | | |
| 590 | 890 | 390 | 790 | 1190 | | | | |
| 745 | | | | | | | | |
| | + | | + | | + | | + | |
| + | | + | | + | | + | | + |

SOCIAL FURNITURE

SCHOOL LOCKERS

School lockers are made of top quality steel. The bottom of the locker is made of galvanized steel to additionally protect it from corrosion. We use powder coatings from leading global manufacturers. Wide range of standard colours – 16 RAL colours.

As a standard we offer 1- or 3-points locking cylinder locks (in selected products). It is also possible to order other locks, according to individual needs. Most of our school lockers can be produced with legs or be placed on benches. Our lockers have declarations and certificates of compliance with Polish and European norms, as well as hygienic certificate issued by PZH (National Institute of Public Health).

1450 mm high school locker is designed for younger pupils. In doors of the lockers there are ventilation holes allowing for free exchange of air. Lockers with compartments are made in different price versions – depending on thickness and type of steel sheet of which they are made (including galvanized or acid-proof steel).

We also offer lockers with compartments with additional equipment as follows:

- a bar with hooks,
- a book shelf for notebooks, handheld things, etc.



standard wide range
of equipment



16 colours at
no extra cost



ADVANTAGES OF SCHOOL LOCKERS



various types of locks to choose



socles, bases, legs, slanted tops etc.



different price versions



seals of approval, certificates, declarations

SOCIAL FURNITURE

SCHOOL LOCKERS

SUM S LOCKERS FOR PRE-SCHOOLERS

In our offer we also have 1350 mm high Sum S lockers for kindergarteners. Even the youngest children will be able to hang their clothes and reach the shelves without any effort.

Cloakrooms in kindergarten equipped with wardrobe lockers enhance kids' independence. Children who have their own individual lockers more willingly and actively prepare to their classes.

The standard locker is equipped with 1-point cylinder lock.

Other options of the lock:

- 3-point lock,
- a handle with magnetic closure.

SUM S LOCKERS FOR 6-YEAR-OLDS

Sum S locker is 1500 mm high, so younger children have more space compared to Sus lockers with compartments, and they can hang their clothes and reach shelves easily. Locker is equipped with a bar with hooks, a hook on doors and shelves for books, notebooks and handheld things.



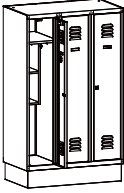
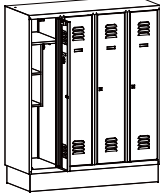
SUM S CABINETS for preschoolers

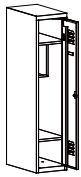
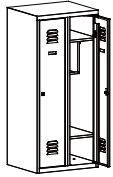
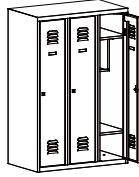
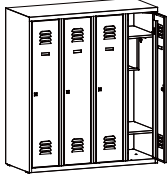


| | | |
|-----------------|----------------|----------------|
| Designation | SumS 310 | SumS 320 |
| Code | SUM 1702020510 | SUM 1802020510 |
| Height (mm) | 1500 | |
| Width (mm) | 300 | 600 |
| Depth (mm) | 500 | |
| Number of units | 1 | 2 |
| Number of doors | | |



TECHNICAL SPECIFICATION

| | |
|---|---|
|  |  |
| SumS 330 | SumS 340 |
| SUM 1902020510 | SUM 2002020510 |
| 1500 | |
| 900 | 1200 |
| 500 | |
| 3 | 4 |
| | |

| | | | | |
|---------------------------------|---|--|---|---|
| SUM S Locker for 6-year-olds |  |  |  |  |
| | SumS 310p | SumS 320p | SumS 330p | SumS 340p |
| | SUM 1703040112 | SUM 1803040112 | SUM 1903040112 | SUM 2003040112 |
| | 1350 | | 1350 | |
| | 300 | 600 | 900 | 1200 |
| | 500 | | | |
| | 1 | 2 | 3 | 4 |
| | Number of doors | | | |
| | Number of units | | | |
| | Number of doors | | | |



SOCIAL FURNITURE

SCHOOL LOCKERS

We offer also different types of the lockers with original perforations of the doors, with various heights: 1560 mm, 1650 mm. These lockers are a part of additional offer for the customers who appreciate uniqueness, reliability and high quality.





It is just a sample of our possibilities. We are able to produce almost every your request!



| WFD School lockers |  |  |
|--------------------|---|---|
| Designation | WFD DFD 422350 | WFD DFD 432350 |
| Code | SFDB 2407220210 | SFDB 2408220210 |
| Height (mm) | 1560 | |
| Width (mm) | 725 | 1075 |
| Depth (mm) | 500 | |
| Equipment | reinforced doors with opening limiter, a shelf | |



TECHNICAL SPECIFICATION

| | | | |
|---|---|---|---|
|  |  |  |  |
| WFD DFD 421350 | WFD DFD 431350 | WFD GS 2 | WFD GS 3 |
| SFDB 2403220209 | SFDB 2403220209 | SFDB 2202200306 | SFDB 2203200306 |
| 1560 | | 1650 | |
| 725 | 1075 | 625 | 925 |
| 500 | | 450 | |
| reinforced doors with opening limiter, top and bottom shelf, a bar, perforated bottom | | reinforced doors with opening limiter, top and bottom shelf, a bar | |



SOCIAL FURNITURE

LAPTOP/TABLET TROLLEYS

Trolley for laptops with function of battery charging is used to storage and easy transport of laptops. It is ideal for schools, colleges, libraries, conference halls, or anywhere where there is a need for secure storage and simultaneous laptops charging. WNL trolley is particularly useful in a classroom, where students need to charge laptops and store them safely. Thanks to the WNL trolley one can easily and safely move laptops from one class to another.

WNL trolley is used to store, secure and charge simultaneously from 10 to 30 laptops.

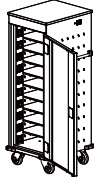
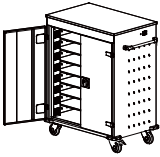
For the overload protection the sequencer is used, which enables to turn on the particular power strips after the specified time (~3 minutes) which results in a low maintenance of electrical load of the trolley during the charging process. A light-emitting diode is signalling the work of power strips of the laptop trolley.

Doors of the trolley are protected against unauthorized access by a key lock with locking in two points.

WNL Laptop Trolley was awarded the European Medal.



MEDALIST TROLLEYS


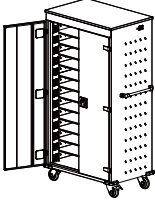
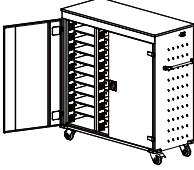
| | | |
|------------------------|---|---|
| Laptop/tablet trolleys |  |  |
| Designation | WNL 110 | WNL 208 |
| Code | WNL 0514060204 | WNL 0615050404 |
| Height (mm) | 1250 | 1060 |
| Width (mm) | 530 | 920 |
| Depth (mm) | 500 | |
| Number of compartments | 10 | 16 |

The trolley's top is covered with melamine. The frame has holes, for air circulation. Maximum laptop size: 90 x 340 x 470 mm (17 inch).

The trolley frame is made of polyster-epoxy painted metal.

Trolley has a Certificate of Compliance with European Directive 2001/95 concerning product safety.



| | | |
|---|---|---|
|  |  |  |
| WNL 210 | WNL 213 | WNL 310 |
| WNL 0614050404 | WNL 0616050404 | WNL 0714050404 |
| 1250 | 1540 | 1250 |
| 920 | | 1310 |
| 500 | | |
| 20 | 26 | 30 |



Work safety

A sequencer and 2 fuses to protect against overloaded lines. Trolley has a Certificate of Compliance with European Directive 2001/95 concerning product safety.



Mobility

Easy to move thanks to 100 mm diameter swivel wheels covered with non-marking rubber (2 of them with brakes).



Ergonomics

Handles mounted on both sides and a top make the trolley easy to use.



Security

Doors of the trolley are secured with a key lock blocking it in 2 points. Trolley's side edges are secured with rubber corners.

SCHOOL FURNITURE E-CLASS

TABLET TROLLEYS

Tablet trolley with function of battery charging is used to store and transport 32 tablets + 1 laptop. It is ideal for schools, colleges, libraries, conference rooms – anywhere where there is a need for secure storage and simultaneous tablets charging.

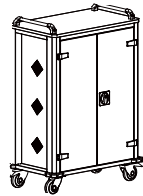
The trolley is equipped with:

- socket to charge the laptop,
- two cables: with IEC C5 and IEC C7 output,
- inserts made out of incombustible foam allowing to store 32 tablets (maximal size 12x205x295 mm, ~12,2"),
- numbered compartments,
- a shelf (100x340x520 mm) with a socket for laptop,
- handles on both sides,
- four 100 mm diameter swivel wheels (made out of non-marking rubber) of 150 kg load capacity per wheel, two of them with breaks,
- bottom sides covered with melamine,
- doors with 2-point lock,
- melamine top (18 mm thick, with cut corners, with black scaleboards),
- ventilation holes for air circulation in the body,
- three-metre-long supply cable,
- handle on the side for reel of supply cable.

WNT Trolley's advantages:

- possibility of simultaneous charge of up to 32 devices (tablet, smartphone and additionally one laptop),
- each USB port equipped with LED diode confirming correctness of work,
- double circuit-breaker protection and protection against overload,
- protection against overheating,
- implementation of single loading time limiter (up to 5 hours) to safe the batteries of currently charging devices and to decrease energy consumption..



| | |
|------------------------|---|
| |  |
| Designation | WNT 33 |
| Code | WNL0917050604 |
| Height (mm) | 1050 |
| Width (mm) | 730 |
| Depth (mm) | 440 |
| Number of compartments | 32 tablets + 1 laptop |



TECHNICAL SPECIFICATION

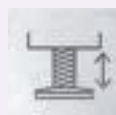



SCHOOL FURNITURE E-CLASS

SCHOOL DESKS

Q8 SCHOOL DESK

Very functional school desk with stable and rigid construction, equipped with feet adjustable ~15 mm.



| | |
|----------------|---|
| Q8 School desk |  |
| Designation | Q8 |
| Code | XXXP 010029C |
| Height (mm) | 720 |
| Width (mm) | 700 |
| Depth (mm) | 580 |



TECHNICAL SPECIFICATION



Q6B

XXXP 0100260

760

800

700



SOCIAL FURNITURE

LOCKERS FOR LAPTOPS / MOBILE PHONES

LAPTOP LOCKERS

Laptop lockers are designed to secure laptops and to charge their batteries during storage. Inside the body there is a power strip mounted. Laptop's locker without electric installation is also available.

AND MOBILE PHONES LOCKERS

Lockers to store mobile phones are used in the pass control offices, agencies, institutions, libraries, reading rooms and other places where mobile phones are forbidden. These lockers can also be used as key deposits.



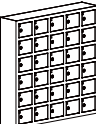
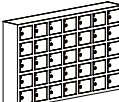
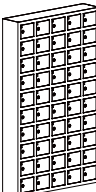
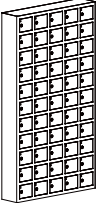
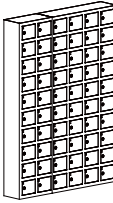
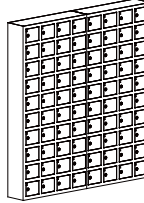
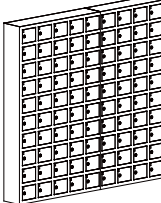
| | | |
|------------------------|------------------------------|--------------------|
| Laptop locker | | |
| Designation | Locker for laptops SZNL 4110 | |
| Code | SZNL 0101010101 | SZNL 0101010104 |
| Height (mm) | 1800 | |
| Width (mm) | 400 | |
| Depth (mm) | 500 | |
| Number of compartments | 10 | |
| Description | Locker without wiring | Locker with wiring |

| | | | |
|------------------------------|--------------|--------------|--------------|
| WSS locker for mobile phones | | | |
| Designation | WSS 5 | WSS 10 | WSS 20 |
| Code | WSS 06010601 | WSS 01010101 | WSS 02010201 |
| Height (mm) | 780 | | |
| Width (mm) | 210 | 390 | 750 |
| Depth (mm) | 200 | | |
| Number of compartments | 5 | 10 | 20 |



TECHNICAL SPECIFICATION



| | | | | | | |
|---|---|---|---|--|---|---|
|  |  |  |  |  |  |  |
| WSS 30 | WSS 35 | WSS 50 | WSS 55 | WSS 60 | WSS 80 | WSS 90 |
| WSS 03020301 | WSS 07010701 | WSS 03030801 | WSS 03040901 | WSS 04030401 | WSS 05030501 | WSS 08031001 |
| 930 | 780 | 1530 | 1680 | 1530 | | |
| 930 | 1290 | 930 | | 1110 | 1470 | 1650 |
| 200 | | | | | | |
| 30 | 35 | 50 | 55 | 60 | 80 | 90 |

SOCIAL FURNITURE

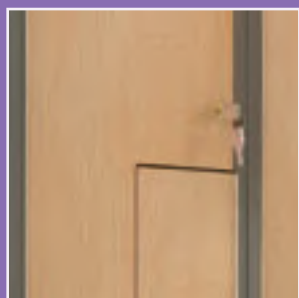
SOCIAL FURNITURE WITH MDF DOORS

Lockers with MDF doors are perfect combination of excellent technical parameters of a metal cabinet with aesthetics and ecology of a MDF board.

MDF is an ideal substitute of wood with no structural imperfections such as knots or cracks which are typical for wood. Unified both composition and density makes it an ideal material. The use of colourful or wood-based fronts with MDF gives the wardrobe locker the effect of lightness, comfort and a unique appearance

The doors of high quality laminated MDF board.

Galvanized hinge strips were used.





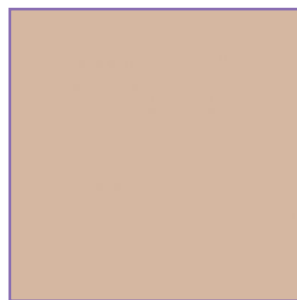
AVAILABLE COLOURS OF MDF DOORS



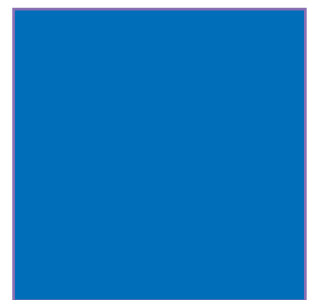
K 2081
SPARTA



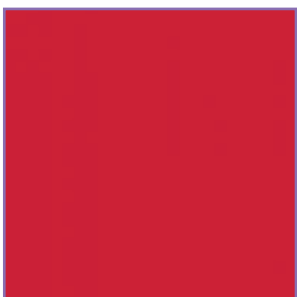
F 7024
SAFFRON



F 7858
PUMICE



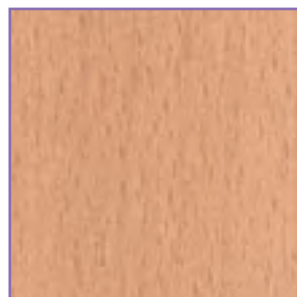
F 2828
TROPICAL BLUE



F 7845
SPECTRUM RED



K 7024
BIRCH



K 7016
FINN BEECH



SOCIAL FURNITURE



SOCIAL LOCKERS WITH MDF DOORS

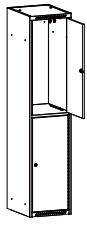
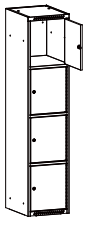
The locker has ventilation holes which provide proper air circulation. The bottom of the locker or base is protected against corrosion.

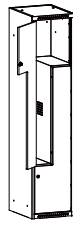
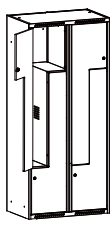
Bodies of the lockers are made of 0.8 - 1.0 mm thick high quality steel.

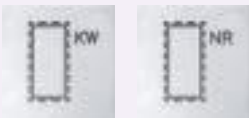
Covered with high-quality powder coat.

The standard cylindrical lock with blocking in point.

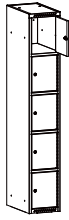
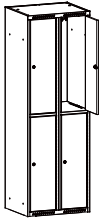
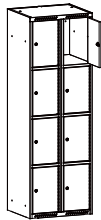
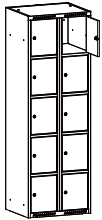
| | | |
|------------------------------------|---|---|
| SUS wardrobe locker with MDF doors |  |  |
| | Designation | SUS 312 |
| Code | NSUM 0106070104 | NSUM 0116070101 |
| Height (mm) | 1800 | |
| Width (mm) | 300 | |
| Depth (mm) | 490 | |
| Number of compartments | 2 | 4 |

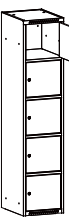

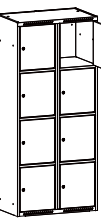
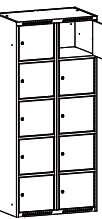
| | | |
|------------------------------------|--|--|
| SUS wardrobe locker with MDF doors |  |  |
| | Designation | SUS 412 |
| Code | NSUM 0306070104 | NSUM 0316070101 |
| Height (mm) | 1800 | |
| Width (mm) | 400 | |
| Depth (mm) | 490 | |
| Number of compartments | 2 | 4 |

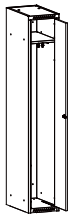
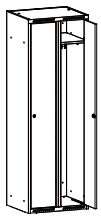
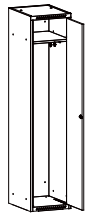
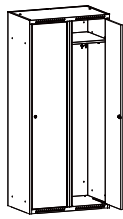
| | | |
|------------------------------------|---|---|
| SUM wardrobe locker with MDF doors |  |  |
| | Designation | SUL 41 |
| Code | NSUM 0606070104 | NSUM 0607070104 |
| Height (mm) | 1800 | |
| Width (mm) | 400 | 800 |
| Depth (mm) | 490 | |
| Number of doors | 2 | 4 |



TECHNICAL SPECIFICATION

| | | | |
|---|---|--|---|
|  |  |  |  |
| SUS 315 | SUS 322 | SUS 324 | SUS 325 |
| NSUM 0121070101 | NSUM 0107070104 | NSUM 0117070101 | NSUM 0122070101 |
| 1800 | | | |
| 300 | 600 | | |
| 490 | | | |
| 5 | 4 | 8 | 10 |

| | | | |
|--|--|---|--|
|  |  |  |  |
| SUS 415 | SUS 422 | SUS 424 | SUS 425 |
| NSUM 0321070101 | NSUM 0307070104 | NSUM 0317070101 | NSUM 0322070101 |
| 1800 | | | |
| 400 | 800 | | |
| 490 | | | |
| 5 | 4 | 8 | 10 |

| | | | | | |
|------------------------------------|---|---|---|---|-----------------|
| SUM wardrobe locker with MDF doors |  |  |  |  | |
| | Designation | SUM 310 | SUM 320 | SUM 410 | SUM 420 |
| | Code | NSUM 0101070102 | NSUM 0102070102 | NSUM 0301070103 | NSUM 0302070103 |
| | Height (mm) | 1800 | | | |
| | Width (mm) | 300 | 600 | 400 | 800 |
| | Depth (mm) | 490 | | | |
| Number of units | 1 | 2 | 1 | 2 | |

SOCIAL FURNITURE

CANTEEN LOCKERS

Canteen lockers to store food products and personal items are perfect choice for such places as canteens or buffets.

Thanks to specially designed holes, it is possible to hang the lockers on the wall and to screw the lockers one to another to make bigger sets.

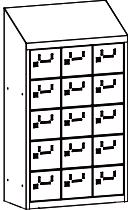
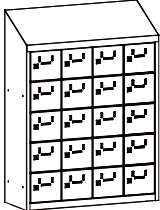
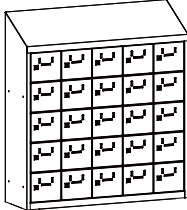
Each compartment is equipped with place for nameplate indicating the owner of the compartment. Each compartment with 2 keys. There is a possibility of ordering "Master" key that is able to open every compartment. Additionally the lockers are equipped with slanted top that helps maintain cleanness.



| | | |
|------------------------|----------------|----------------|
| Canteen lockers | | |
| Designation | SUS 215W | SUS 225W |
| Code | SUS 0821050601 | SUS 0822050601 |
| Height (mm) | 1090 | |
| Width (mm) | 240 | 430 |
| Depth (mm) | 300 | |
| Number of compartments | 5 | 10 |



TECHNICAL SPECIFICATION

| | | |
|---|---|---|
|  |  |  |
| SUS235W | SUS245W | SUS255W |
| SUS 0823050601 | SUS 0824050601 | SUS 0825050601 |
| 1090 | | |
| 620 | 810 | 1000 |
| 300 | | |
| 15 | 20 | 25 |

SOCIAL FURNITURE

KBS LOCKERS FOR CLEANING PURPOSES

For easy, safe and pleasant work...

KBS locker is a very practical type of metal furniture both for the distribution of safety products and to store dirty clothes.

Each compartment is closed with an independent key, and common frame allows to open all the lockers at the same time.

The person distributing safety materials has an access to all the compartments, and thanks to this he or she can control the stock and regularly restock them.

The main advantage of KBS lockers is a significant reduction of industrial safety products, and thus reducing costs. Modules of the locker for dirty clothes allow throwing dirty clothes through the opening slot easily.





KBS cabinet with compartments



| Designation | KBS 1 | KBS 2 |
|------------------------|------------------|--------------|
| Code | KBS 01050201 | KBS 03050001 |
| Height (mm) | 1900 | |
| Width (mm) | 1225 | 820 |
| Depth (mm) | 500 | |
| Number of compartments | 22 + compartment | 22 |



TECHNICAL SPECIFICATION

| | |
|---|---|
|  |  |
| KBS 3 | KBS 4 |
| KBS 02050201 | KBS 04050001 |
| 1900 | |
| 840 | 435 |
| 500 | |
| 11 + compartment | 11 |

Facilitate the work

Provides easy access to safety products and / or storage of dirty clothes.

Savings

Reduces the cost of safety products.

Control

Control of safety products consumption.

Functionality

A possibility of giving back and collecting new products.

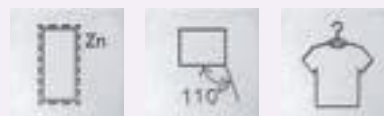
SOCIAL FURNITURE

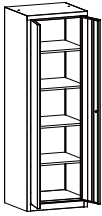
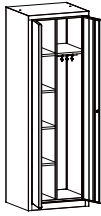
SMD CABINETS FOR CLEANING STAFF

Multifunctional cabinets are used to store clothes, household cleaners, buckets, brushes, etc. They facilitate the work of social workers and the cleaning services.

FUNCTIONALITY

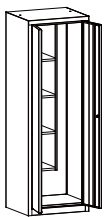
- Depending on the needs SMD cabinet is equipped with:
- 4 non-adjustable shelves (SMD 60) or
 - Compartment with shelves and wardrobe section (SMD61) or
 - Compartment with shelves and compartment for a bucket and a brush (SMD 62).



| | | |
|--------------------------------|---|---|
| SMD cabinet for cleaning staff |  |  |
| Designation | SMD 60 | SMD 61 |
| Code | SAU 0401030201 | SAU 0401030401 |
| Height (mm) | 1800 | |
| Width (mm) | 600 | |
| Depth (mm) | 500 | |



TECHNICAL SPECIFICATION



SMD 62

SAU 0401030501

1800

600

500





| | | | | | | |
|---------------------|----------------|----------------------------|---------------------|----------------|----------------------------|-----------------------------|
| | | | | | | |
| MPO 02r | MPO 02k | MPO 02rk | MPO 03r | MPO 03k | MPO 03rk | MPO 03kr |
| PNO 0201010301 | PNO 0201010201 | PNO 0401020101 | PNO 0301010301 | PNO 0301010201 | PNO 0301010601 | PNO 0301010501 |
| 800 | | | 1220 | | | |
| 2 | | | 3 | | | |
| 2 extendable frames | 2 bins | 1 extendable frame + 1 bin | 3 extendable frames | 3 bins | 2 extendable frame + 1 bin | 2 bins + 1 extendable frame |





SOCIAL FURNITURE

MPO METAL RECYCLING BIN

Containers designed for internal use for various wastes: plastic, paper, glass.

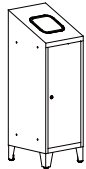
The body made of 0,8-1,0 mm thick steel, covered with structure powder coating. Slanted top prevents wastes from piling on the top of the container.

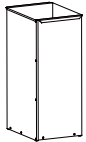
Self-closing lids prevent odours from emitting and close the containers in an aesthetic way.

Containers allow gathering wastes in 120-litre disposal bags or in internal galvanized metal containers of following dimensions: 700x295x357 mm (option at an extra cost).

Access to containers is simple thanks to frontal winged doors locking with a free-turning latch lock with a possibility of padlock locking.

Extendable frame for disposal bags placed on full-extension ball bearing slides facilitates the access to disposal bags that are placed on a frame by pressing it down with upper part of the frame mounted on hinges.

| | | |
|-------------------------|---|----------------|
| MPO metal recycling bin |  | |
| | Designation | MPO 01r |
| | | MPO 01k |
| Code | PNO 0101010301 | PNO 0101010201 |
| Height (mm) | 1220 | |
| Width (mm) | 400 | |
| Depth (mm) | 450 | |
| Number of units | 1 | |
| Equipment | 1 extendable frame | 1 bin |

| | | |
|----------------|---|-------------------------------|
| Galvanized bin |  | |
| | Designation | MPO k Galvanized container |
| Code | XPNO 01010101 | |
| Height (mm) | 700 | |
| Width (mm) | 295 | |
| Depth (mm) | 357 | |



SOCIAL FURNITURE

LOCKERS FOR FIRE FIGHTERS

Lockers for fire fighters are used to store clothes that fire fighters used during a fire fighting action.



The lockers are equipped with:

Corrosion protection - all locker made of galvanized steel.

For better air circulation it is possible to place the locker on the bench.

We produce lockers for firefighters and policemen for every European market.

We would like to present the lockers produced for customers' special requests.

| | | |
|--------------------------|---|---|
| Lockers for firefighters |  |  |
| Designation | SUS 41 | SUS 42 |
| Code | SST 07010201 | SST 08010201 |
| Height (mm) | 1950 | |
| Width (mm) | 400 | 800 |
| Depth (mm) | 550 | |
| Equipment | a bar for clothes hooks helmet holder | |





shelf



compartment closed with cylinder lock



storage handle for helmets



perforated bottom

SPECIAL PRODUCTS

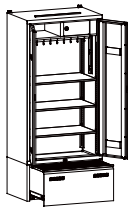


SOCIAL FURNITURE

ARMY WARDROBES

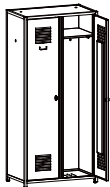
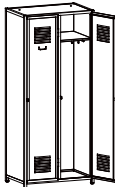
Military wardrobes designed according to requirements of Regional Infrastructure Administration/Military Infrastructure Administration. They are used to store quarter equipment.



| | |
|----------------|--|
| Army wardrobes |  |
| Designation | WP2-40 |
| Code | XXXP020051 |
| Height (mm) | 2225 |
| Width (mm) | 1000 |
| Depth (mm) | 600 |
| Equipment | Winged doors with code lock with 10000 combinations, fixed shelf with box closed with code lock with 1000 combinations; 3 shelves movable on the height; metal chrome-plated bar with movable hooks with possibility of mounting on 3 heights. Extendable drawer with lid closed with code lock with 1000 combinations. The inside of the drawer divided with vertical partition: 1 movable shelf in right compartment; gas servomotors prevent the lid from self-closing. |



TECHNICAL SPECIFICATION

| | |
|--|--|
|  |  |
| Sum 421 military 27719 | Sum 421 military 27789 |
| SUM 0701030201D56 | SUM 0701030201D61 |
| 1850 | 1850 |
| 850 | 850 |
| 490 | 520 |
| <ul style="list-style-type: none"> - left + right doors, - metal bar, - 4 hooks for clothes (2 per compartment), - body made out of angle bar 25x25x3 mm and 1,0 mm thick steel. | <ul style="list-style-type: none"> - right doors, - metal bar, - 4 hooks for clothes (2 per compartment), - butt hinges - body made out of angle bar 25x25x3 mm, tee 30x30x4 mm and 1,0 mm thick steel. |

SOCIAL FURNITURE

LOCKERS WITH HEATING AND VENTILATION FOR CLOTHES' DRYING

LOCKERS WITH HEATING AND VENTILATION

Lockers with heating and ventilation were designed to dry wet clothes, shoes and gloves in closed rooms. This is a perfect solution wherever the environmental conditions cause dampness. These may be: construction sites, uniformed services, waterworks, railways, airports, mines, walk-in freezers, skiing resorts and many other.

The lockers are made out of powder coated steel sheet. They are equipped with connection terminals that enable connecting of ventilation duct.

There are several combinations of available lockers for clothes drying:

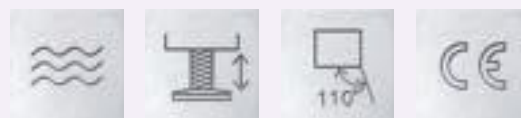
- locker with ventilation and socket enabling connection of 3 lockers in string,
- locker with heating and ventilation,
- locker with internal partitions in compartments, with heating and ventilation,
- locker with heating, ventilation, time switch and socket enabling connection of 3 lockers in string.

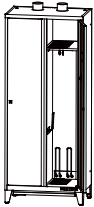
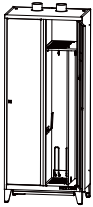
Safety:

- CE symbol,
- IP 21 resistance class,
- thermal protection against overheating.

CABINET FOR CLOTHES AND SHOES' DRYING

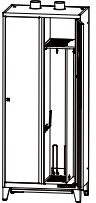
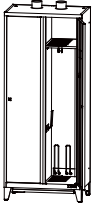
Cabinet for drying clothes and shoes for 10 working sets of clothing. It is equipped with a bar to hang damp clothes and bottom compartment with 20 pipes for damp shoes. Long pipes enable hanging high working boots. Cabinet with adjustable feet and handles on the sides to move the cabinet easily. Plastic transparent curtain protects from excessive heat loss and enables an easy access to the dried clothes. Cabinet made out of fire galvanized steel sheet.

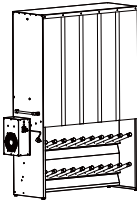


| | | |
|-------------------------------------|---|---|
| Locker with heating and ventilation |  |  |
| Designation | SUM 421 | SUM 421 |
| Code | SUMW 0701030214 | SUMW 0701030215 |
| Height (mm) | 2006 | |
| Width (mm) | 800 | |
| Depth (mm) | 490 | |
| Equipment | - ventilation and heating 1000 W | - ventilation and heating 1000 W, - internal partitions in compartments |



TECHNICAL SPECIFICATION

| | |
|---|--|
|  |  |
| SUM 421 | SUM 421 |
| SUMW 0701030219 | SUMW 0701030230 |
| 2006 | |
| 800 | |
| 490 | |
| <ul style="list-style-type: none"> - ventilation and heating 1000 W, - internal partitions in compartments, - a time switch, - power socket to link 3 lockers | <ul style="list-style-type: none"> - ventilation, - power socket to link 3 lockers |

| | |
|---------------------------------------|--|
| Cabinet for clothes and shoes' drying |  |
| Designation | Cabinet for clothes and shoes' drying |
| Code | XXXXP 020055 |
| Height (mm) | 1971 |
| Width (mm) | 1515 |
| Depth (mm) | 500 |
| Equipment | <ul style="list-style-type: none"> - a bar for clothes, - 20 pipes for shoes, - 2 heating and ventilation modules, - 2 handles to move the cabinet, - leveling feet |

SOCIAL FURNITURE

SPORTS FURNITURE

SPORT WARDROBE LOCKER

The door locked in 1 or 3 points. Door equipped with a opening limiter.

Locker's equipment:

- the right part – equipped with 3 fixed shelves,
- the left part - equipped with 1 lockable compartment and a bar.

At the bottom of the cabinet there is one compartment for shoes, together with extended basis. The door is equipped with a metal container for small items and a set of 3 hooks for towels and clothes.

All shelves are spaced every 200 mm.

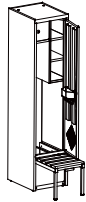
SPORTS CABINET FOR COACHES

The cabinet has possibility of easy configuration of the following equipment:

- hooks i.e. for jump ropes, hula-hoops,
- shelves (for plastrons),
- frame drawer with dividers (for bow-shaped handles, javelins),
- possibility of mounting on the drawer a compartment for stopwatches, whistles and other small items.

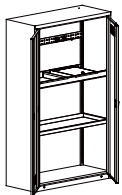
These elements mentioned above are our standard offer and are height adjustable. Perforated door, with the full opening, lockable in 2 points.



| | |
|-----------------------|---|
| Sport wardrobe locker |  |
| Designation | Sum 410 sport |
| Code | SUM 0601020102B80 |
| Height (mm) | 1800 |
| Width (mm) | 400 |
| Depth (mm) | 490 |
| Number of units | 1 |



TECHNICAL SPECIFICATION



Sbm 212 for sports equipment

SNSS 11032037

1990

1200

500

1




SOCIAL FURNITURE



TABLES, BENCHES, CHAIRS AND STANDS

A perfect supplement for changing rooms and social rooms are benches, stands, chairs and tables.



single benches - frame
made of tubular steel (ŁO)

| | | |
|--|---|------------|
| Tables, benches, chairs and hangers |  | |
| Designation | Łsz 3 | Łsz 3a |
| Code | LSZ 050205 | LSZ 060205 |
| Height (mm) | 405 | |
| Width (mm) | 1000 | 1500 |
| Depth (mm) | 355 | |

| | | |
|--|---|---|
| Tables, benches, chairs and hangers |  |  |
| Designation | KD | ŁO 12 |
| Code | KKD | LO 01010101 |
| Height (mm) | 780/450 | 460 |
| Width (mm) | 460 | 1200 |
| Depth (mm) | 500 | 440 |
| Description | chair | garden bench |



single benches - frame made of closed profile (Łsz 3, Łsz 3a)



single benches made of solid wood – folding metal frame (BS)



one-side benches with support and hooks (Łsz 1, Łsz 1a)



double-side benches with support and hooks (Łsz 2, Łsz 2a)

TECHNICAL SPECIFICATION

| | | | |
|------------|------------|------------|------------|
| | | | |
| Łsz 1 | Łsz 1a | Łsz 2 | Łsz 2a |
| LSZ 010101 | LSZ 020101 | LSZ 030102 | LSZ 040102 |
| 1650 | | | |
| 1000 | 1500 | 1000 | 1500 |
| 380 | | 730 | |



| | | | | |
|--------------|-------------|--------------|--------------|-------------|
| | | | | |
| ŁO 16 | ŁO 20 | Bench BS | Table BS | WPPS 1 |
| LO 02010101 | LO 03010201 | ŁAWKA BS | STÓŁ BS | PPSW 010101 |
| 460 | | 480 | 780 | 1845 |
| 1600 | 2000 | 2200 | 2200 | 600 |
| 440 | | 250 | 600 | 600 |
| garden bench | | garden bench | garden table | hanger |

SCHOOL FURNITURE

SCHOOL CHAIRS

STANDARD School chair

Size 0-4 K06 5-7 K07,
frame out of square profile 20x20 mm,
birch plywood.

STANDARD School chair with movable desktop

Size 5-7 K16,
frame out of square profile 20x20 mm,
birch plywood.

BOLEK School chair

size 1-4 Ø 22 mm K08,
size 5-7 Ø 25 mm K09,
birch plywood.

BOLEK School chair with desktop

size 1-4 Ø 22 mm K30,
size 5-7 Ø 25 mm K31,
birch plywood.

Height scope according to PN-EN 1729:2007-1

| Number | Range of height | Colour mark |
|--------|-----------------|-------------|
| 1 | 93 - 116 cm | Orange |
| 2 | 108 - 121 cm | Purple |
| 3 | 119 - 142 cm | Yellow |
| 4 | 133 - 159 cm | Red |
| 5 | 146 - 176,5 cm | Green |
| 6 | 159 - 188 cm | Blue |
| 7 | 174 - 207 cm | Brown |





STANDARD school chairs



BOLEK school chairs



STANDARD school chair



STANDARD school chair with movable desktop



BOLEK school chair



BOLEK school chair with desktop

SCHOOL FURNITURE

SCHOOL DESKS BLACKBOARDS

DESKS

STANDARD School desk

single, 75x50 cm,
size: 1-4 S18 5-7 S21,
frame made of 25x25 mm square profile,
18 mm thick laminated board,
1 mm or 2 mm thick PVC veneer.

STANDARD School desk

double, 130x50 cm,
size: 0-4 S24 5-7 S25,
frame made of 25x25 mm square profile,
18 mm thick laminated board,
1 mm or 2 mm thick PVC veneer.

STANDARD School desk

single, 75x50 cm,
size: 1-4 Ø 30 mm S104,
size: 5-6 Ø 30 mm S105,
double, 130x50 cm,
size: 1-4 Ø 30 mm S102,
size: 5-6 Ø 30 mm S103,
18 mm thick laminated board,
1 mm or 2 mm thick PVC veneer.
with adjustable leveling feet.

School desk with adjustable height

size: 0-2, 1-3, 2-4, 3-6, 5-7,
frame made of 25x25 mm square profile,
18 mm thick laminated board,
1 mm or 2 mm thick PVC veneer.
single 75x50 cm S30,
double 130x50 cm S23,
triple 180x50 cm S28,
with adjustable leveling feet.

BLACKBOARDS

We offer also white magnetic boards. There is possibility to order blackboards with rulings: check, line, 3-line, stave, ordinates.



single green board 1700x1000 mm



STANDARD single school desk,
frame made of square profile



STANDARD double school desk,
frame made of square profile



school desk with adjustable height,
frame made of square profile



STANDARD school desk,
frame made of Ø 30 mm tubular steel



TRYPTYK green board 3400x1000 mm



green board with a stand 1700x1000 mm,
height of the stand 1980 mm

OFFICE FURNITURE

SBM OFFICE CABINETS WITH WING DOORS

Doors with hidden hinges. Door handle with security lock. Locking in 2 points (top and bottom).

CABINETS' ADVANTAGES:

- extensive equipment as standard,
- 16 RAL colours without extra charge,
- various sizes and equipment,
- adjustable shelves,
- various types of cabinets,
- various price levels.



extensive equipment
as standard



16 RAL colours without
extra charge



CABINETS' ADVANTAGES



various sizes and equipment



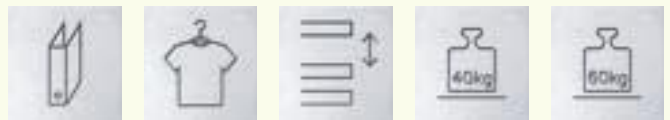
adjustable shelves



various types of cabinets



various price levels



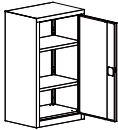
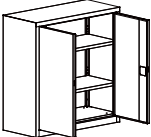
OFFICE FURNITURE

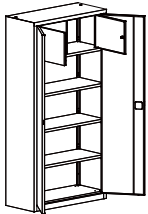
SBM OFFICE CABINETS WITH WING DOORS

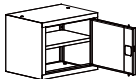
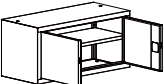
We offer a wide range of top cabinets. The width of top cabinets is adjusted to the width of standard cabinets. Available top cabinets:

- 465 mm high – for 2 low rows of files,
- 810 mm high – for 2 rows of binders.

Top cabinets have one shelf adjustable every 25 mm ± 3 positions from the center position.

| | | |
|--------------------|---|---|
| |  |  |
| Designation | SBM 101 M | SBM 102 M |
| Code | SBM 01022203 | SBM 02022303 |
| Height (mm) | 1040 | |
| Width (mm) | 600 | 800 |
| Depth (mm) | 435 | |
| Cabinet's capacity | 2 rows of binders | |
| Number of shelves | 2 | |

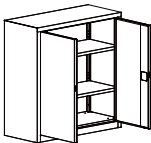
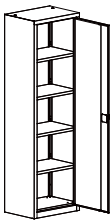
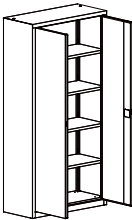
| | | |
|--------------------|--|--------------|
| |  | |
| Designation | SBM 204 M | SBM 213 M |
| Code | SBM 03032305 | SBM 04032305 |
| Height (mm) | 1990 | |
| Width (mm) | 1000 | 1200 |
| Depth (mm) | 435 | |
| Cabinet's capacity | 4 rows of binders + locker | |
| Number of shelves | 3 | |

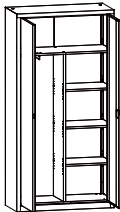
| | | |
|--------------------|---|---|
| |  |  |
| Designation | SBM 401 M | SBM 402 M |
| Code | SBM 01012202 | SBM 02012302 |
| Height (mm) | 465 | |
| Width (mm) | 600 | 800 |
| Depth (mm) | 435 | |
| Cabinet's capacity | 2 low rows | |
| Number of shelves | 1 | |



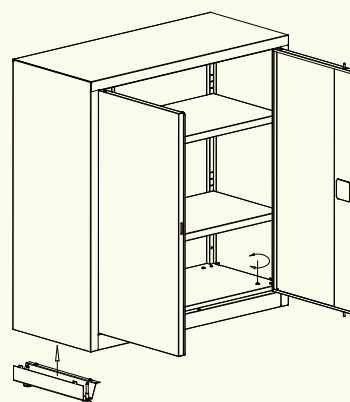
TECHNICAL SPECIFICATION

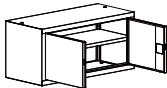
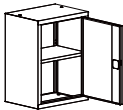
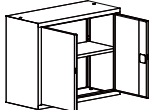


| | | | | | |
|---|--------------|---|--------------|---|--------------|
|  | |  | |  | |
| SBM 103 M | SBM 107 M | SBM 201 M | SBM 202 M | SBM 203 M | SBM 212 M |
| SBM 03022303 | SBM 04022303 | SBM 01032204 | SBM 02032304 | SBM 03032304 | SBM 04032304 |
| 1040 | | 1990 | | | |
| 1000 | 1200 | 600 | 800 | 1000 | 1200 |
| 435 | | | | | |
| 2 rows of binders | | 5 rows of binders | | | |
| 2 | | 4 | | | |

| | |
|--|--------------|
|  | |
| SBM 206 M | SBM 215 M |
| SBM 03032306 | SBM 04032306 |
| 1990 | |
| 1000 | 1200 |
| 435 | |
| 1 row of binders + 4 in halves | |
| 4 shelves + wardrobe compartment | |

For an extra charge, cabinets can be equipped with leveling feet, screwed to the bottom. They are regulated from the inside of the cabinet.



| | | | | | |
|---|--------------|---|--------------|---|--------------|
|  | |  | |  | |
| SBM 403 M | SBM 405 M | SBM 801 M | SBM 802 M | SBM 803 M | SBM 804 M |
| SBM 03012302 | SBM 04012302 | SBM 01122202 | SBM 02122302 | SBM 03122302 | SBM 04122302 |
| 465 | | 810 | | | |
| 1000 | 1200 | 600 | 800 | 1000 | 1200 |
| 435 | | | | | |
| 2 low rows | | 2 rows of binders | | | |
| 1 | | 1 | | | |

WORKSHOP FURNITURE

STW WORKSHOP TABLES



Our STW workshop tables combine high quality, strength and functionality.



STW Workshop tables are designed for mechanical workshops, tool departments, as well as small mechanical workshop and individual clients.

Workshop tables in combinations with metal cabinets, tool walls and storage racks provides great work organization.

Their diversity guarantees that they are perfectly fitted to the customer's individual needs.



| Workshop tables |  |  |
|--|---|---|
| Designation | Stw 111 | Stw 121 |
| Code | STWS 01010201 | STWS 02010202 |
| Height (mm) | 850 | |
| Width (mm) | 600 | 1200 |
| Depth (mm) | 600 | |
| Dimensions of tabletop in mm (h x w x d) | 30 x 600 x 600 | 30 x 1200 x 600 |

| Workshop tables |  |  |
|--|---|---|
| Designation | Stw 122 | Stw 112 |
| Code | STWS 02020211 | STWS 01020207 |
| Height (mm) | 750 | |
| Width (mm) | 1200 | 600 |
| Depth (mm) | 600 | |
| Dimensions of tabletop in mm (h x w x d) | 30 x 1200 x 600 | 30 x 600 x 600 |



TECHNICAL SPECIFICATION

| | | | | |
|-----------------|-----------------|-----------------|-----------------|----------------|
| | | | | |
| Stw 321 | Stw 322 | Stw 323 | Stw 324 | Stw 311 |
| STWS 02010103 | STWS 02010104 | STWS 02010305 | STWS 02010306 | STWS 01010207 |
| 850 | | | | |
| 1200 | 1200 | 1200 | 1200 | 600 |
| 600 | | | | |
| 30 x 1200 x 600 | 30 x 1200 x 600 | 30 x 1200 x 600 | 30 x 1200 x 600 | 30 x 600 x 600 |



| | | | | | | |
|----------------|----------------|-----------------|-----------------|-----------------|----------------|----------------|
| | | | | | | |
| Stw 113 | Stw 114 | Stw 401 | Stw 402 | Stw 403 | StbG 45 | StbG 47 |
| STWS 01020212 | STWS 01020113 | STWS 04010209 | STWS 06010310 | STWS 06010310 | GST 03020202 | GST 01010201 |
| 850 | | | | | 725 - 920 | 900 |
| 600 | 600 | 1200 | 1600 | 200 | 1200 | 1000 |
| 600 | | 750 | | | 600 | |
| 30 x 600 x 600 | 30 x 600 x 600 | 40 x 1200 x 750 | 40 x 1600 x 750 | 40 x 2000 x 750 | | |

WORKSHOP FURNITURE

SZW WORKSHOP LOCKERS FOR TOOLS

ŚNN TOOL WALLS

It is essential to have the most necessary tools within reach. This can be ensured by our tool walls. Tool walls for self assembly.

SZWN WORKSHOP TROLLEY

The workshop trolleys are equipped with:

- tops made from hardwood plywood
- all drawers locked with central lock,
- drawers on ball bearing slides (maximum load capacity of 50 kg per drawer).
- doors locked with a cylindrical lock,
- two swivel wheels.

SZWG CABINET

Workshop locker on swivel wheels (2 with brakes). The top part made of perforated steel sheet (back and side walls), the bottom part with a shelf and 2 drawers. Set of hooks - according to the client's needs (at an extra cost)

SZW WORKSHOP CABINET WITH DRAWERS


Szw lockers provide stable construction, central lock, anti tilt system (preventing from opening more than one drawer at a time)

Maximum load capacity per drawer: 75 kg.

On customer's request the top can be covered with: rubber, plywood in metal frame or acid-proof steel sheet.

Drawer partitions are also available, allowing for dividing the drawer into 5 rows. Every row is equipped with 2 galvanized partitions.






| | |
|-------------|--|
| Tool walls |  |
| Designation | Śnn 300 |
| Code | śnn 010101 |
| Height (mm) | 600 |
| Width (mm) | 1195 |
| Depth (mm) | 18 |
| Equipment | -base board - 3 pcs, single hook (58 mm) -5 pcs, long slot holder for the screwdrivers - 1 pc, holder with circular holes - files - 1pc, holder with rectangular holes - chisels - 1 pc, holder for a drill - 1 pc, holder for the wrench - 1 pc, holder with circular holes for screwdrivers - 1 pc, holder for V container - 2 pcs, single holder - 4 pcs. |



Szw 301



TECHNICAL SPECIFICATION

| Workshop trolleys |  |  |  |
|-------------------|---|---|--|
| Designation | SzwN 251 | SzwN 252 | SzwG 43 |
| Code | GWJ 0101036703 | GWJ 0101016803 | GWJ 03020306 |
| Height (mm) | 928 | | 1930 |
| Width (mm) | 961 | | 815 |
| Depth (mm) | 600 | | 600 |
| Equipment | 5 drawers (including one deep drawer) | 10 drawers (including 2 deep drawers) | - On wheels – the top part made of perforated steel sheet (back and side walls). The bottom part with a shelf and 2 drawers. |

| Workshop cabinets with drawers |  |  |  |
|--------------------------------|---|---|---|
| Designation | Szw 301 | Szw 302 | Szw 305 |
| Code | SZWL 0202010201 | SZWL 0202010301 | SZWL 0202010601 |
| Height (mm) | 1051 | 1051 | 1051 |
| Width (mm) | 1000 | 1000 | 1000 |
| Depth (mm) | 585 | 585 | 585 |
| Height of drawers (mm) | width: 903 x depth: 435 | width: 903 x depth: 436 | width: 903 x depth: 437 |
| Height of front | 1 drawer 175 mm 2 drawers 225 mm 1 drawer 275 mm | 1 drawer 75 mm 2 drawers 125 mm 2 drawers 175 mm 1 drawer 225 mm | 7 drawers 75 mm 3 drawers 125 mm |



 **De Raat**
Security Products
Safes, lockers and more...



SCRIBURO bv
IT & Print Solutions
Computers | Supplies | Herstelling | Onderhoud

Oostrozebekestraat 70 | 8760 Meulebeke
T. 051 487821 | info@scriburo.be | www.scriburo.be